

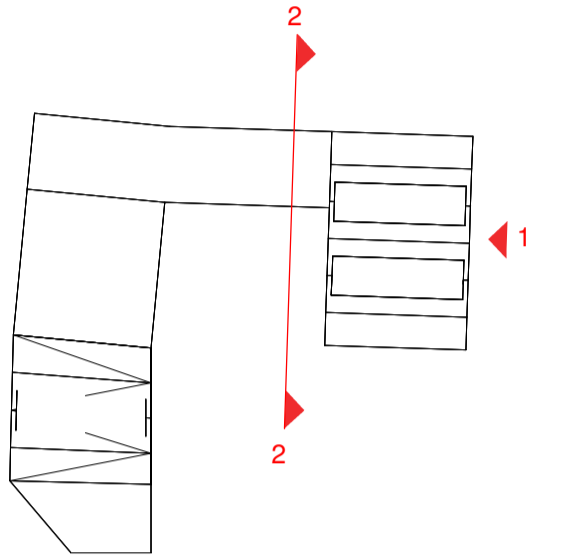
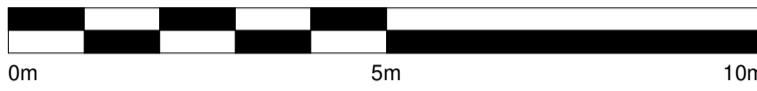
Contractors and consultants are not to scale dimensions from this drawing

Reproduced by permission of Ordnance Survey on behalf of HMSO © CROWN COPYRIGHT and database right 2008 All rights reserved Ordnance Survey Licence number AL 1000 22432 Broadway Malyan Limited

The survey information shown on this drawing is based on a topographical survey prepared by a third party and Broadway Malyan Limited accept no responsibility for the accuracy or completeness of the survey.

Drawings to be read in conjunction with the associated Design & Access Statement, associated consultant design team documents & reports and landscape information

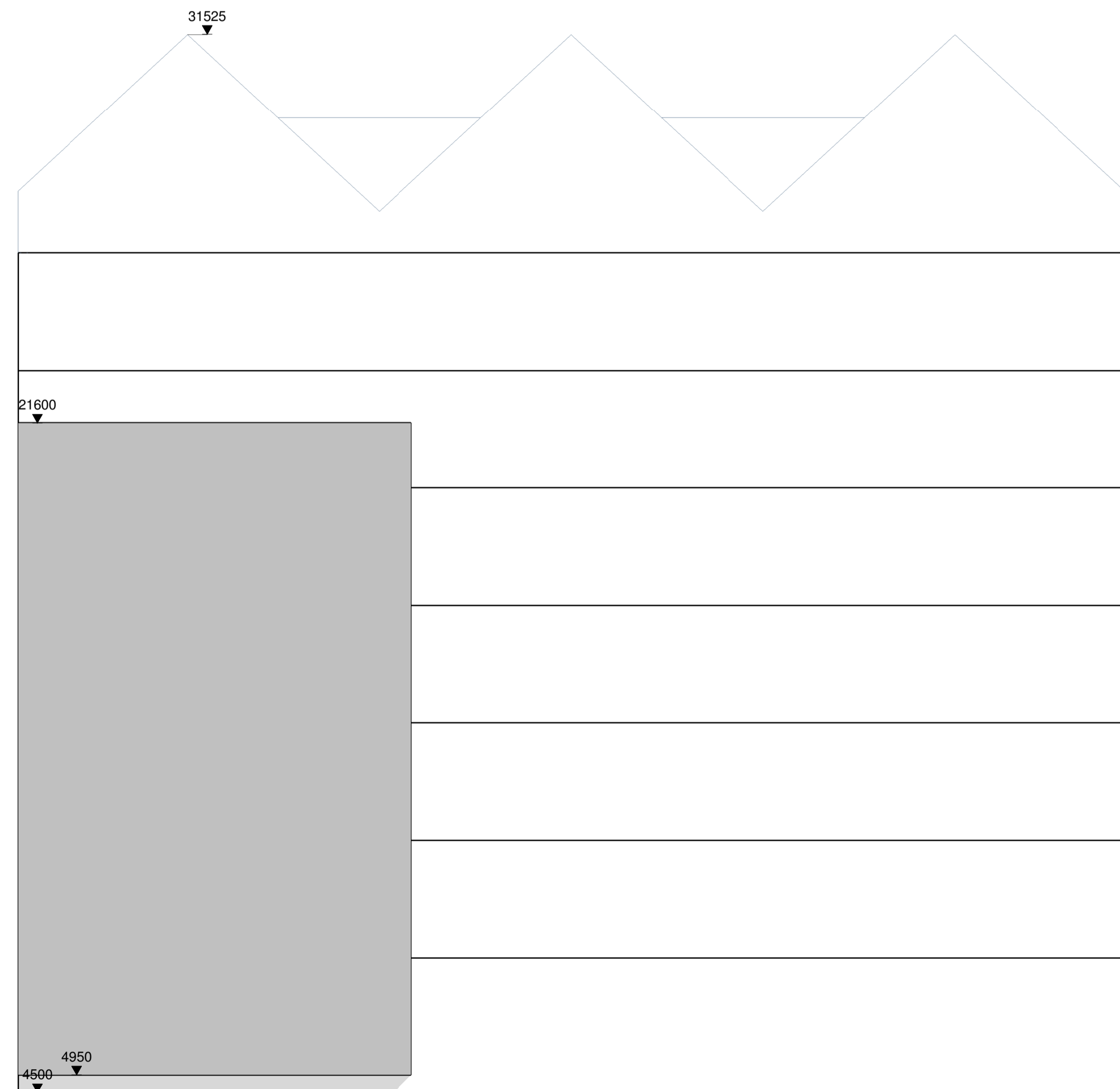
Landscape shown is for illustrative purposes only. For detailed landscape information, please refer to the landscape information & documents.



3 0301 - Massing
Scale 1 : 1000



1 F2 - 05 - East Elevation
Scale 1 : 100



2 F2 - 05 - West Elevation Internal
Scale 1 : 100

Revision	Date	Drawn By	Description
D0-1	31.03.22		Issued For Planning

BroadwayMalyan^{BM}

4 Pear Place
London
SE1 8BT

T: +44 (0)20 7261 4200
F: +44 (0)20 7261 4300
E: Lon@BroadwayMalyan.com

www.BroadwayMalyan.com

Client
Weston Homes

Project
**Anglia Square
Norwich**

Description
**Elevations
Block F**

Status
For Planning

Scale	Drawn By	Date
1:100@A1	OR	31.03.22
Job Number	Drawing Number	Revision
35301	ZF-XX-DR-A-05-0301	D0-1